



CT230-8C Hydraulic Crawler Excavator






Description

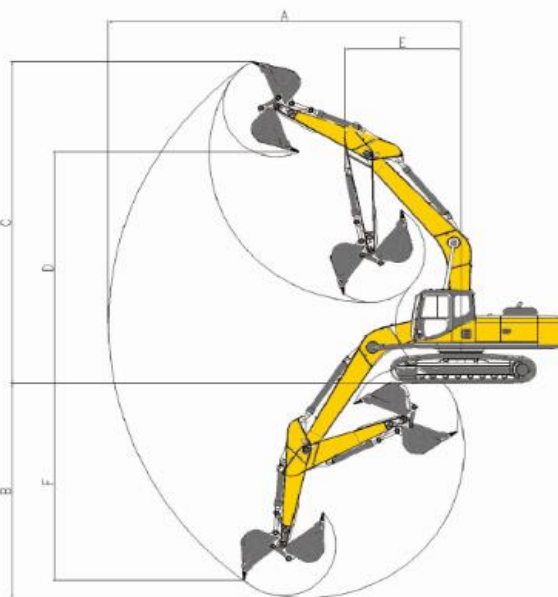
CT230-8C (ISUZU Engine) Photo



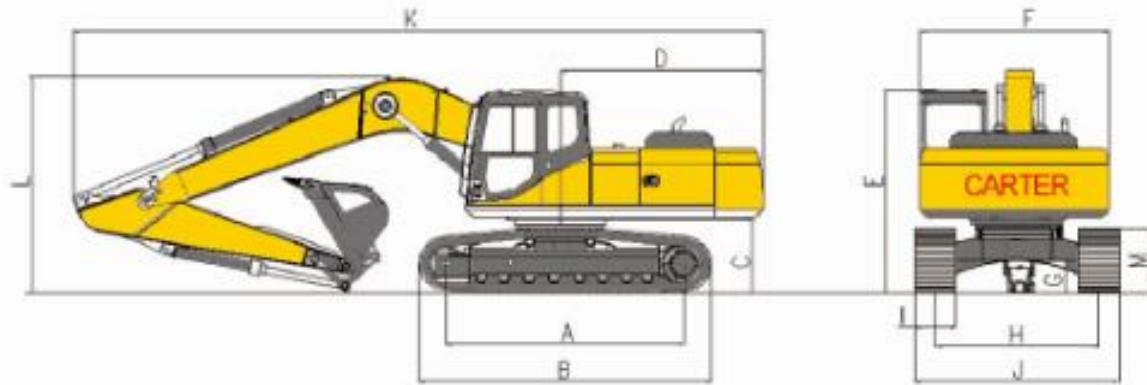
Technical Specification

 Engine		 Travel System	
Model	ISUZU 4HK1X	Travel motors	KYB, Japan;
Type	Turbocharged, 4 stroke, Direct injection, water cooled, with air-air intercooler	Support roller quantities	2×8
		Carrier roller quantities	2×2
No. of cylinder	4	Travel shoes	2X47
Bore and stroke	115X125(mm)	Travel speed	3.3/5.2(km/h)
Displacement	5.193L	Drawbar pulling force	134.8kN
Power output	120kw/2000rpm	Gradeability	70%(35°)
	657N.m/1500rpm	Track shoe thickness	10mm

 Hydraulic System		 Cab & Electrical System			
Main Pump	KPM, Japan	Cab	Cab installed with silicon oil rubber, adjustable luxurious seat, cold and warm air-conditioning system plus flexible pilot control system		
Type	axial piston pump				
Max. discharge flow	2x230(L/min)				
Max. discharge pressure					
Boom, arm and bucket	31.4/34.3 MPa	Voltage	24V		
Travel circuit	34.3 MPa	Batteries	2X24V		
Swing circuit	27.5 MPa	Battery capacity	240Ah		
Control circuit	3.9 MPa	Boom, Arm & Bucket			
Pilot control pump	Gear type	Boom cylinder	Φ120xΦ85xS1335-L1870		
Main valve	KYB, Japan	Arm cylinder	Φ135xΦ95xS1490-L2075		
Oil cooler	Air cooled type	Bucket cylinder	Φ115xΦ80xS1120- L1680		
 Swing System		 Refilling Capacity & Lubrication			
Swing motor	KPM, Japan	Fuel tank	410 L		
Swing motor type	Axial-piston motor	Cooling system	26 L		
Hydraulic oil released	Hydraulic oil released	Engine oil	22 L		
Hydraulic disc brake	Hydraulic disc brake	Hydraulic oil tank	195 L Tank Oil Level		
Swing speed	10.5r/min		295 L Hydraulic System		
 Bucket					
Type		Backhoe bucket			
Bucket capacity		1.1 m ³ (SAE)			
Bucket capacity scope		0.92-1.10 m ³			
Number of bucket teeth		5			
Bucket width		1270 mm			
Working Ranges					
Boom length		5700mm			
A	Max. digging radius	9982mm			
B	Max. digging depth	6622mm			
C	Max. digging height	9970mm			
D	Max. dumping height	7000mm			
E	Min swing radius	3203mm			
F	Max. vertical wall digging depth	5900mm			
G	Max. digging reach at ground level	9975mm			
Digging Force (ISO6015)					
Arm length		2925mm			
A	Bucket digging force	139KN			
B	Arm digging force	110KN			
Overall Dimensions					
A	Track grounding length	3480mm	I	Track shoe width	600mm



B	Track length	4174mm	J	Overall width	2810mm
C	Counter weight ground clearance	1075mm	K	Overall length	9650mm
D	Tail swing radius	2850mm	L	Overall height(to top of boom)	2780mm
E	Overall height(to top of cab)	3007mm	M	Track height	810mm
F	Revolving frame width	2736mm	O	Ground contact length	4780mm
G	Min Ground clearance	465mm	P	Track shoe thickness	10mm
H	Track gauge	2210mm	Q	Distance from swing center to tail	2850mm



Operating Weight and Ground Pressure

Operating weight includes basic machine;

Operating weight	22100 Kg
Ground pressure	47.1 KPa